



TOWING EQUIPMENT CATALOGUE





**For assistance contact Bradley Sales
on 01274 560414 or via e-mail to
sales@bradleydoublelock.co.uk**

United Kingdom

Bradley Doublelock Ltd, Victoria Works, Bingley,
West Yorkshire, BD16 2NH

Tel. 01274 560414 | Fax: 01274 510294

Ireland

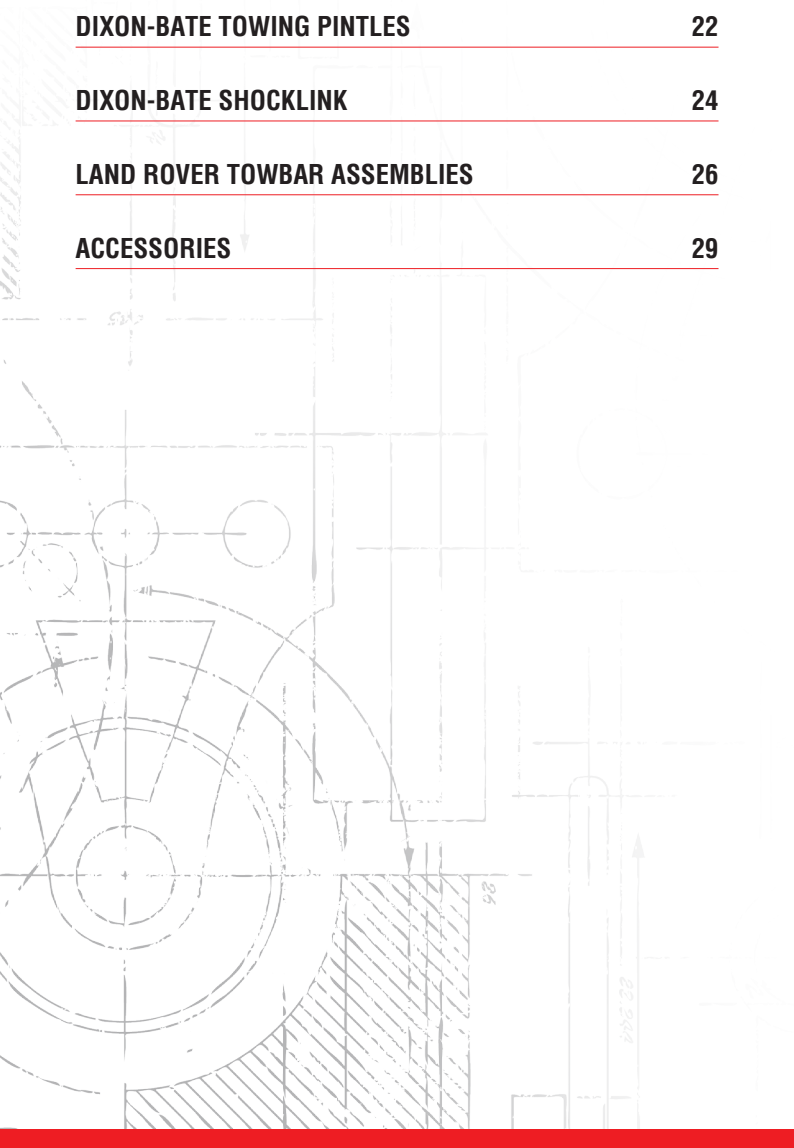
Unit 15 Block B, Blyry Business & Commercial Park,
Athlone, Co Westmeath, Ireland

Tel: 00353 9064 86849 | Fax: 00353 9064 85850

www.bradleydoublelock.co.uk

CONTENTS

THE UK'S LEADING TOWING & TRAILER EQUIPMENT	4
BRADLEY TYPE APPROVED TOWING SYSTEMS	6
REGULATION 55	7
'S' AND 'D' VALUES EXPLAINED	8
BRADLEY UNIVERSAL COUPLINGS	10
DIXON-BATE UNIVERSAL COUPLINGS	12
DIXON-BATE UNIVERSAL STABILISER COUPLINGS	14
BRADLEY TOWING JAWS	16
DIXON-BATE TOWING JAWS	17
BRADLEY AUTOJAW	18
DIXON-BATE HEIGHT ADJUSTABLE MOUNTINGS	20
DIXON-BATE TOWING PINTLES	22
DIXON-BATE SHOCKLINK	24
LAND ROVER TOWBAR ASSEMBLIES	26
ACCESSORIES	29



THE UK'S LEADING TOWING & TRAILER EQUIPMENT

Bradley Doublelock are the UK's leading manufacturers of high quality, durable towing and trailer equipment. The product range has been designed for use across a wide range of applications including commercial, agriculture, military and public utilities where robustness and long service life is a defining requirement.

Engineered to the highest levels of quality and safety, the Bradley brands include the Dixon-Bate product range of towing components which have been a mark of excellence for over 90 years.

Bradley brands have established an unparalleled reputation for design, robustness, durability and quality across a wide range of products;

- Trailer Components - couplings, jockey wheels & prop stands.
- Towing Equipment - a range of towing jaws, mountings and pintles.
- Towing Accessories - a wide range of pins, lanyards and other accessories for your Type Approved towing outfit.

The Full Bradley Product Range

Bradley's extensive range of towing equipment, chassis components and spare parts are engineered to last, ensuring whatever product you have purchased, you will benefit from generations of development and enjoy a lifetime of service.



Trailer Components



Towing Equipment



Towing Accessories

Type Approval & Your Safety

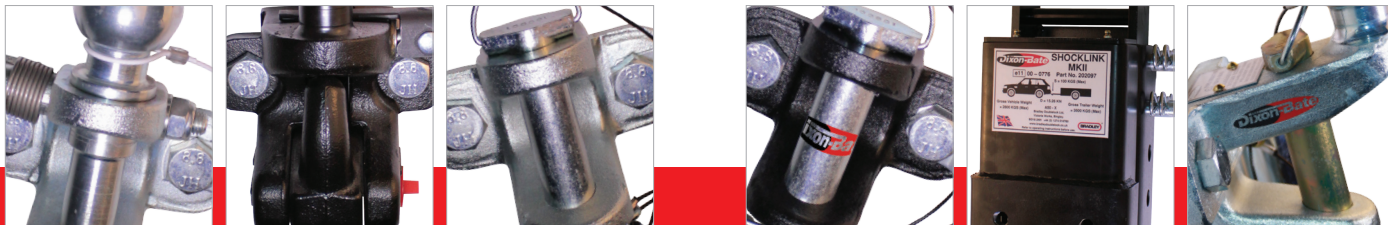
Bradley products are tested and manufactured to meet the highest levels of quality and safety, including European Type Approval and the new UK standard 'Regulation 55'. Type Approved products meet a minimum set of regulatory, technical and safety requirements enabling a customer to be sure that a product has been manufactured to the highest technical and quality standards.

Not all towing products available in Europe are Type Approved or meet the new Regulation 55 standards. As a result, these products may not be suitable for the intended use and may not be covered by insurance in the event of the claim. If in doubt, we recommend seeking expert advice to ensure your towing outfit is Type Approved. The Bradley sales team can help you with this and assist you in the selection of the correct Type Approved products for your towing outfit.



BS EN ISO 9001:2000 and ISO 14001 approved and certified manufacturer.

The Bradley brands - award winning quality and safety for over 90 years.



Originally established by H&K Bradley in 1948, Bradley Doublelock quickly grew to become the leading name for 'quality coupled with innovation' within the trailer manufacturing industry. End users recognised both the quality of the design and the engineering enabling Bradley products to quickly become the benchmark standard for towing products in the UK market.

Bradley Doublelock now continue to maintain the core values of quality and product innovation that make the products so successful. Bradley now service both corporate and public sector customers and a huge variety of end users - who recognise the significant added value and peace of mind provided by the Bradley name.

Dixon-Bate have for a long time been recognised as the market leading specialist in towing jaws and equipment, with a strong reputation for the design and manufacture of premium quality products.

The Dixon-Bate range of products was incorporated into the Bradley portfolio in 2009 when the company was acquired by Bradley. The products, which have been developed and manufactured for over 90 years, have built up a strong reputation for premium quality, durability and long service life.

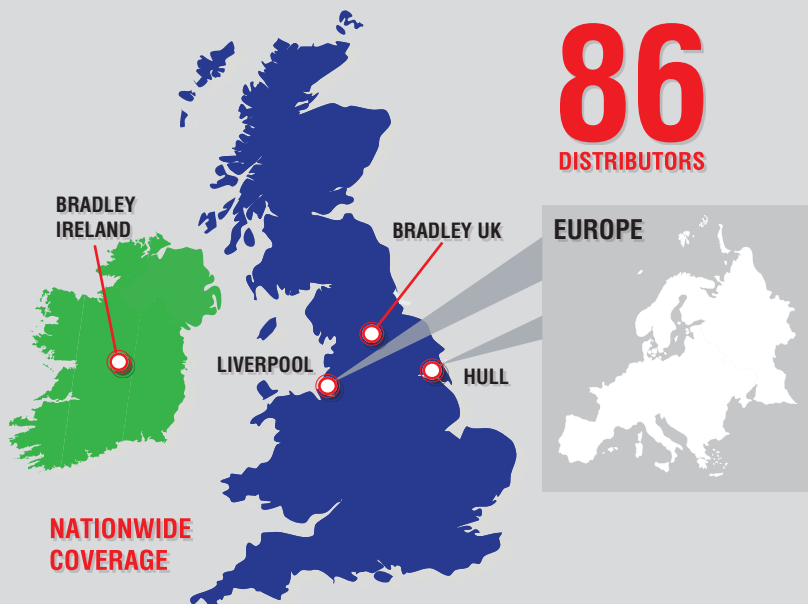
The entire Bradley and Dixon-Bate product range meets the high performance targets and stringent safety requirements expected for a wide range of military applications and is prominent in automotive, marine, agricultural and leisure sectors.

Bradley - British Built Brands

Bradley are located in West Yorkshire, an area renowned for the importance of manufacturing and the production of the highest quality, British engineered products. Our success comes from a quality British engineering heritage which is now combined with all the advantages of modern design and production techniques.

Bradley opened a Sales and Distribution office in Ireland based in Athlone, Co Westmeath. The Athlone office provides local support to both Southern and Northern Ireland customers and carries stocks of trailer and towing vehicle components available for immediate dispatch.

Bradley brands can be purchased from one of 86 distributors, covering all areas of the United Kingdom and Ireland. We are also well placed to service export markets through our close proximity to the ports of Liverpool and Hull.



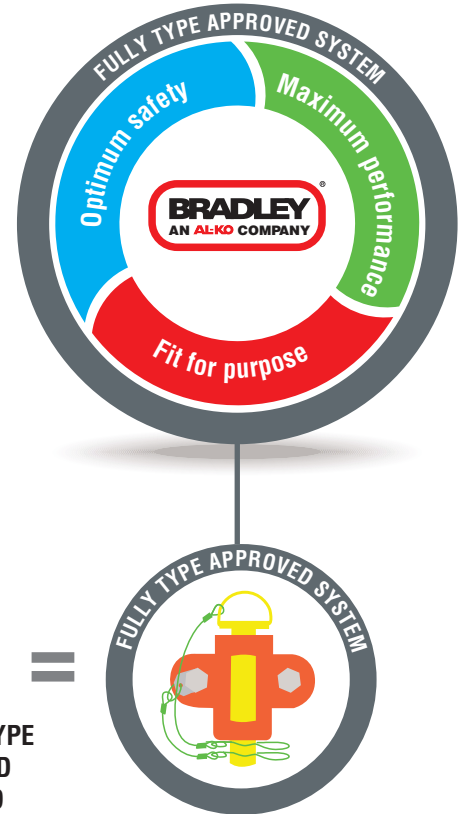
BRADLEY TYPE APPROVED TOWING SYSTEMS

WHY SHOULD YOU FIT TYPE APPROVED TOWING SYSTEMS?

If you are towing in the UK and Europe it is a legal requirement to have a Type Approved Towing System fitted to your vehicle.

A 'Towing System' is defined as all the component parts on your towing outfit which are required to tow in a safe manner. When combined, these component parts also ensure the system is fully Type Approved.

All Bradley products are fully Type Approved Towing Systems, ensuring optimum safety and maximum performance across a wide range of commercial and leisure applications.



For example, a Towing Jaw always requires a Type Approved Towing Pin and Lanyard to correctly meet all UK legislation.



Optimum Safety

Bradley Towing Equipment provides the highest levels of safety and peace of mind for towing outfits, drivers and the goods that are being transported.



Maximum Performance

Bradley brands have been the UK's number one manufacturer of towing equipment for over 90 years. Our heritage and expertise ensures that our products excel in every area of use.



Fit for Purpose

Bradley Type Approved products are rigorously tested and meet the highest quality standards, ensuring they are perfect for the intended purpose.

Bradley Towing Equipment Range - Type Approved



UNIVERSAL COUPLINGS



STABILISER COUPLINGS



TOWING JAWS



HEIGHT ADJUSTABLE MOUNTINGS



TOWING PINTLES



SHOCKLINK



AUTOJAW



THE NEW REQUIREMENT FOR TYPE APPROVED PRODUCTS

On November 1st 2014 Regulation 55 was introduced to replace the EC 94/20 tow bar regulations. As of this date, all towing equipment and towing outfits have to meet the additional requirements in Regulation 55.

Bradley were the first in the UK market to ensure all products have been tested and up to date with this latest government legislation. Therefore, Bradley products are fully Type Approved to the latest standards.

Understanding the rules regarding towing on different towing outfits can be complicated. The easiest way to ensure you are compliant is to fit fully Type Approved systems from Bradley.



Lifetime Tested to 2 Million Cycles

All Bradley products are subjected to range of strict tests to meet and exceed EC Type Approval, including a 2 million cycle fatigue test. This ensures your Bradley towing system provides the highest possible standards of quality and safety.



2 year warranty

All Bradley products are covered by a full two year defect warranty from the date of purchase, providing complete peace of mind.

Choosing The Correct Towing Equipment

Towing Capacity

Bradley Towing Equipment is specifically engineered for different towing weights which can be identified by these symbols within this brochure. It is important to choose the product with the correct towing weight for your outfit to meet all UK legislation.

Two or Four Bolt Face Mountings

Bradley Towing products are provided pre-drilled for fixing to tow bars with either two bolt or four bolt fixings and can be identified by these symbols. Both comply with the relevant British Standard and Regulation 55.

Your Type Approval Checklist

Checklist for selecting Type Approved towing equipment:

- ✓ Check the products are manufactured to Regulation 55 as of 1st November 2014.
- ✓ Check your towing weight and fixings are correct for the towing outfit.
- ✓ Check all the towing equipment is Type Approved (i.e. do not use a substandard Towing Pin with a Type Approved Towing Jaw).

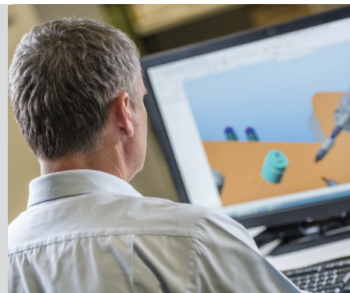
If in doubt, contact Bradley for advice on 01274 560414

Quality and Safety Standards

Bradley are committed to the highest levels of quality and safety throughout the entire manufacturing process.

Using the latest 3D CAD facilities, precision engineering techniques and our knowledge and experience of the towing industry we provide the UK's leading towing equipment range.

All Bradley Towing Products meet (and in some cases exceed) all the relevant UK legislation, are lifetime tested to two million cycles and for complete peace of mind come complete with a full two year guarantee.



Skilled design engineers use the latest 3D CAD facilities to design, develop, and test new designs and prototypes.



Investment in the latest manufacturing equipment including CNC Machining Centres and automated laser cutting lines ensure that Bradley products are manufactured to the highest standards.

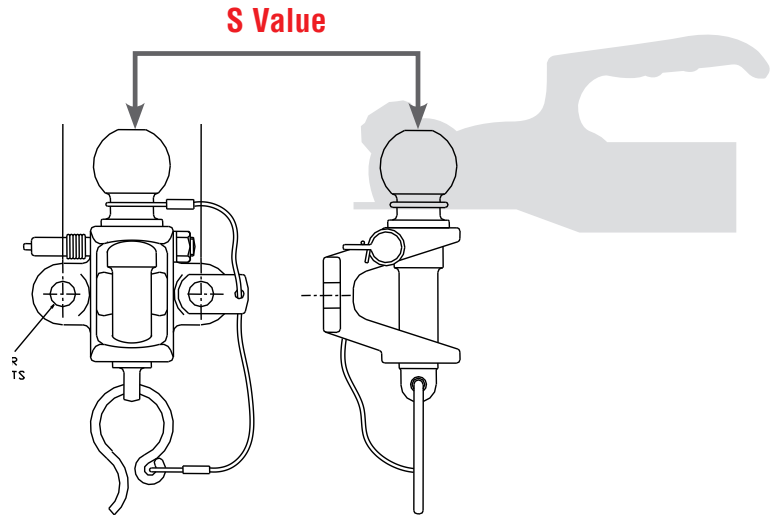
'S' AND 'D' VALUES EXPLAINED

S Value / Nose Load Explained

The S Value or Static Vertical Mass is the technically correct terminology for 'nose load'.

The S Value is the load, weight or mass applied by the coupling head of the trailer or caravan onto the towball/towbar fitted to the towing vehicle.

The S Value needs to be correctly determined before you purchase a towing product to ensure the towing outfit (E.G. your vehicle and the trailer) is safe and complies with legal restrictions.



What is the Maximum S Value I Can Use?

Your vehicle manufacturer should specify the maximum S Value / nose load in your vehicle handbook.

The vehicle manufacturer may possibly use the technical terminology 'maximum static vertical load on towball', or a similar description.

This may vary, and if there is any doubt it is essential to contact the vehicle manufacturer to clarify the Maximum S Value that you can use.

How is the S Value Measured?

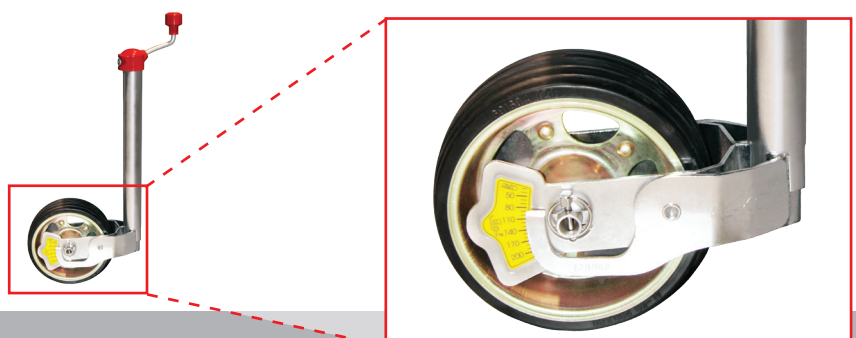
The S Value can be measured by recording the force, or weight, applied by the trailer/caravan using a set of scales or proprietary device.

The force, or weight, must be measured as close to the centre of the coupling head as possible and at the same coupling height as when coupled to the intended tow vehicle.

To place the scales under the A-frame, away from the coupling head will not provide the correct measure of the S Value / 'nose load'.

AL-KO Premium Jockey Wheel (Part No. 1221695)

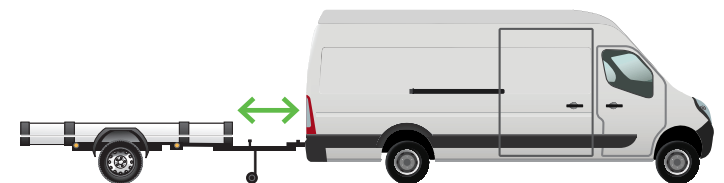
Note; There are devices on the market that incorporate a nose load measuring device e.g. integrated into the jockey wheel.



D Values Explained

The D Value is a rating in kN that reflects dynamic loading limits between a towing vehicle and a trailer, i.e. the horizontal force between the towing vehicle and trailer.

It is essential you have the correct D Value when purchasing a towing product so that your entire towing system retains its Type Approval status.



D Values for all our products are clearly marked throughout this brochure.

For a copy of our simple D Value calculator or if you require any assistance with S or D values, please contact Bradley Sales on 01274 560414.

Calculating the 'D' Value

To calculate the D Value yourself you need to find the following information from your vehicle manufacturer;

- The Gross Vehicle Weight (GVW) of your vehicle. This is also sometimes called Gross Vehicle Mass (GVM).
- The Gross Trailer (or Train) Weight (GTW) for your vehicle.

The 'D' value is then calculated as follows:

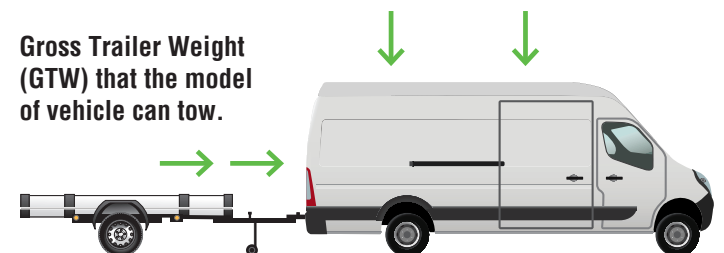
$$(GVW \times GTW) / (GVW + GTW) \times 9.81/1000 \text{ (gravity)} = \text{kN}$$

An example, based on a standard Ford Transit (GVW = 2500kg, GTW = 3500kg) is as follows;

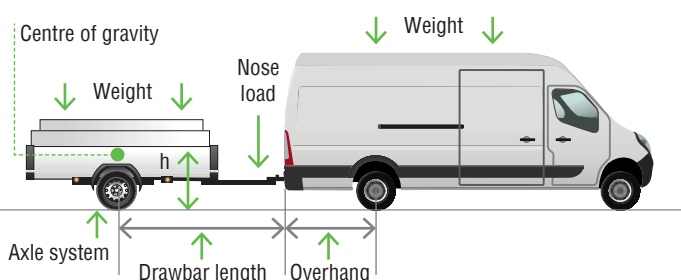
$$\begin{aligned} & (GVW \times GTW) / (GVW + GTW) \times 9.81/1000 \text{ (gravity)} = \text{kN} \\ & (2500 \times 3500 = 8750,000) / (2500 + 3500 = 6000) \\ & 8750,000 / 6000 = 1458.3 \text{ (recurring)} \\ & 9.81 / 1000 = 0.00981 \\ & 1458.3 \times 0.00981 = 14.305923 \\ & D = 14.3\text{kN} \end{aligned}$$

Gross Vehicle Weight (GVW)

Gross Trailer Weight (GTW) that the model of vehicle can tow.



Criteria for optimum stable towing



Car

1. Heavy weight
2. Large wheelbase
3. Small overhang
4. Correct tyre pressure
5. Correctly performing shock absorbers

Trailer

1. Low weight
2. Long drawbar
3. Low centre of gravity
4. Use of max. permissible nose load
5. Large tyres
6. Optimum loading (heavy items near the axle)

BRADLEY UNIVERSAL COUPLINGS

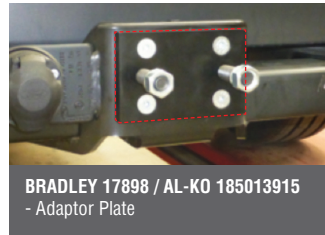
Specifically designed to meet the requirements for mixed trailer fleets, Bradley Universal Couplings are engineered to the highest specifications ensuring optimum safety and security.

Bradley Universal Couplings feature a heavy duty, forged towing ball and pin assembly. The stainless steel lanyard cable sheathed in nylon provides improved retention and prevents snagging.

Both the 2 bolt and 4 bolt versions have a unique primary locking lever and secondary locking pin to ensure safe towing.

Features and Benefits

- Anti-jamming & minimum overhang design
- Compatible with British standard eyes 30/40/50mm
- Doublelock mechanism
- Durable cast iron - high corrosion resistance
- All couplings meet safety requirements of EU standard 94/20EC and Regulation 55



BRADLEY 17898 / AL-KO 185013915
- Adaptor Plate

This adaptor converts a continental 4 hole towbar system to a standard UK 2 bolt fixing as shown.

The adapter plate is fully approved to Reg. 55 if used with Bradley / Dixon Bate products, and can only be supplied when ordered with the two bolt products on this page. (Black finish only)

For each product, Bradley part numbers and AL-KO part numbers are provided.

Universal Range



- Pin Diameter (nominal): 25mm
- Ball Diameter: 50mm
- Towing Capacity: 3.5T
- D Value: 17kN
- Vertical Load / S Value: 200kg
- Towing Eye: Minimum i.D.: 30mm
- 2 bolt fixing to Regulation 55 (bolts not supplied – M16 Bolts required. We recommend using 8.8 or higher grade bolts)

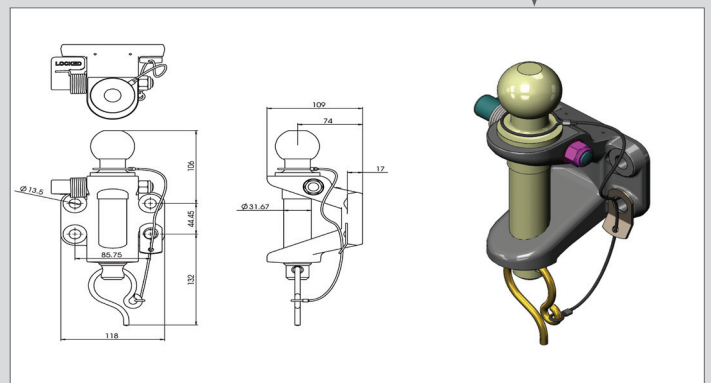
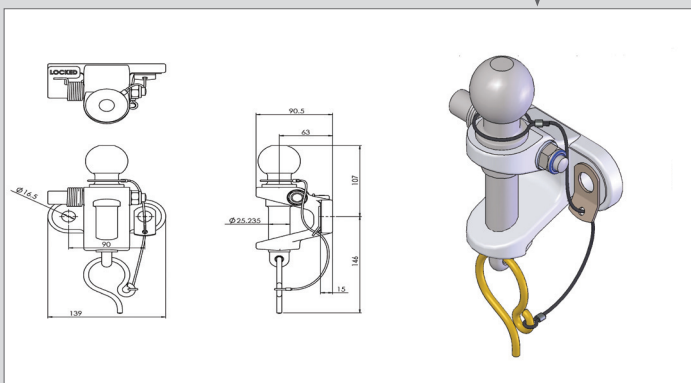


BRADLEY V352L / AL-KO 185007815
3.5T Bradley Universal E40TC

- Pin Diameter (nominal): 32mm
- Ball Diameter: 50mm
- Towing Capacity: 3.5T
- D Value: 30.95kN
- Vertical Load / S Value: 350kg
- Towing Eye: Minimum i.D.: 30mm
- 4 bolt fixing to Regulation 55 (bolts not supplied – M16 Bolts required. We recommend using 8.8 or higher grade bolts)



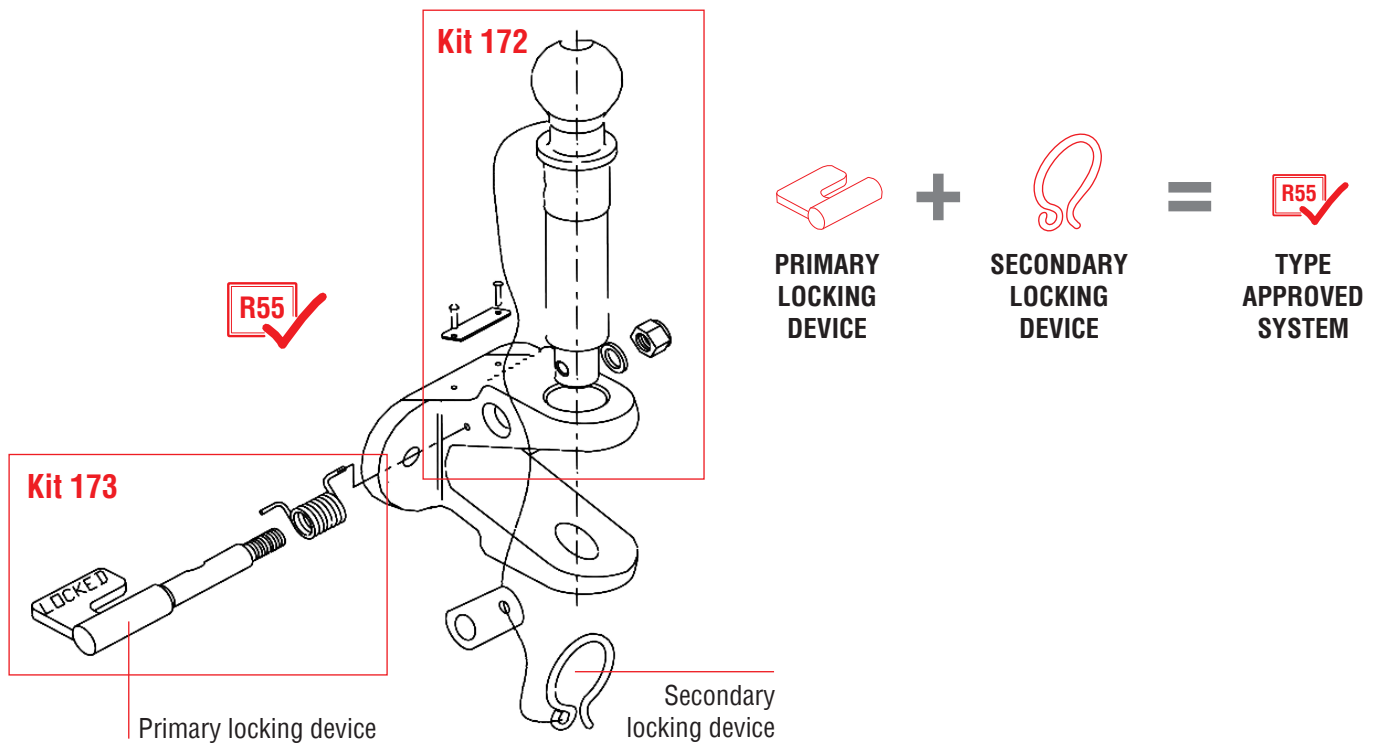
BRADLEY V502L / AL-KO 185008115
3.5T Bradley Universal E100TC



Part No.	Item	Spare No.	Item
Bradley V352L / AL-KO 185007815	3.5T Bradley Universal E40TC	Bradley Kit173 / AL-KO 185012615	Locking Handle
		Bradley Kit172 / AL-KO 185005515	Ball Pin & Wire
		Bradley V35B / AL-KO 185007915	Imperial Bolt Pack
		Bradley V35B-M16 / AL-KO 185008015	Metric Bolt Pack



Type Approved System



Part No.	Item	Spare No.	Item
Bradley V502L / AL-KO 185008115	3.5T Bradley Universal E100TC	Bradley Kit173 / AL-KO 185012615	Locking Handle
		Bradley Kit170 / AL-KO 185012715	Ball Pin & Wire
		Bradley V50B / AL-KO 185008215	Imperial Bolt Pack
		Bradley V50B-M12 / AL-KO 185008315	Metric Bolt Pack

Please note - only use genuine Bradley parts and spares to ensure your system is Type Approved and legally compliant.

DIXON-BATE UNIVERSAL COUPLINGS

The Dixon-Bate Universal Coupling range sets the highest standards for quality, durable couplings, ideal for all types of commercial applications. They provide the flexibility for end users to quickly adapt to their varied towing requirements.

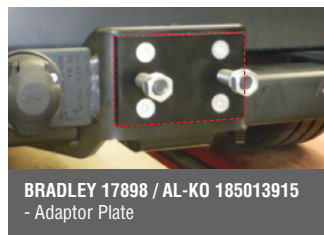
The Universal Coupling combines a separate 50mm ball and 25mm diameter pin in one coupling. The towing ball and pin assembly pin are engineered from heavy duty, forged steel and have been the professional's choice for over 20 years. Dixon-Bate Universal Couplings are available with or without a hardened pin.

Features and Benefits

- Unique product combining Ball & Pin Coupling
- All couplings meet safety requirements of EU standard 94/20EC and Regulation 55
- Zinc and clear passivate finish
- Class: A50-X/S



For each product, Bradley part numbers and AL-KO part numbers are provided.



This adaptor converts a continental 4 hole towbar system to a standard UK 2 bolt fixing as shown.

The adapter plate is fully approved to Reg. 55 if used with Bradley / Dixon Bate products, and can only be supplied when ordered with the two bolt products on this page. (Black finish only)

BRADLEY 17898 / AL-KO 185013915
- Adaptor Plate

3.5T Universal Range



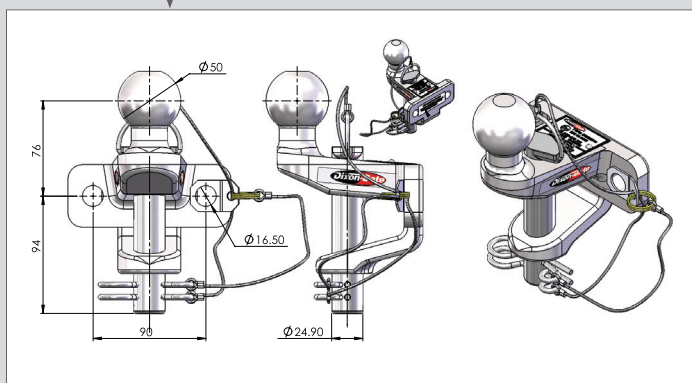
- Pin Diameter (nominal): 25mm
- Ball Diameter: 50mm
- Towing Capacity: 3.5T
- D Value: 17.2kN
- Vertical Load / S Value: 250kg
- Towing Eye: Minimum i.D.: 28.6mm
Maximum Section: 28.6mm
- 2 bolt fixing to Regulation 55 (bolts not supplied – we recommend using 8.8 or higher grade bolts)



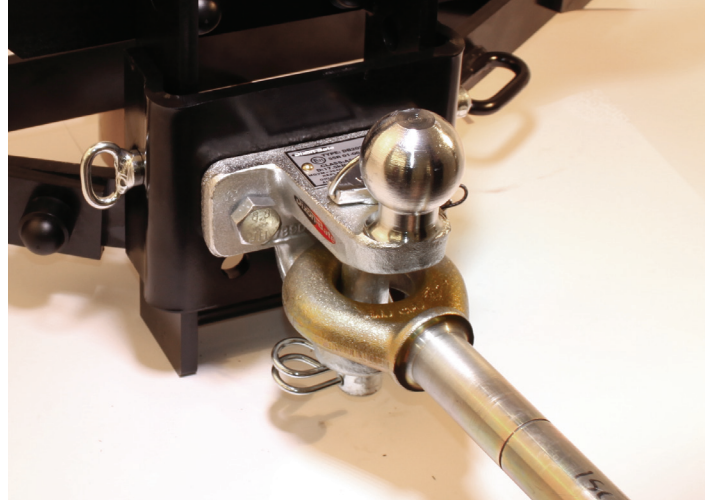
BRADLEY DB202014 / AL-KO 185002015
3.5T Universal with 25mm Pin



BRADLEY DB201740 / AL-KO 185009815
3.5T Universal with 25mm Hardened Pin

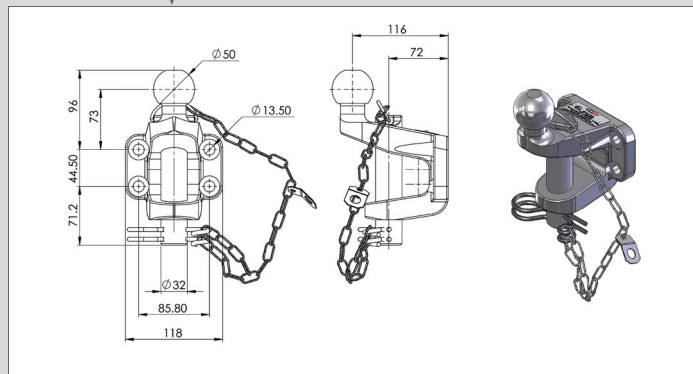


Part No.	Item	Spare No.	Item
Bradley DB202014 / AL-KO 185002015	3.5T Universal with 25mm Pin	Bradley DB68121 / AL-KO 185012815	25mm Standard Pin/Lanyard/Tag/Clip
Bradley DB201740 / AL-KO 185009815	3.5T Universal with 25mm Hardened Pin (Features a hardened 25mm dia. pin rated to 3500kg)	Bradley DB68129 / AL-KO 185012915	Lanyard/Tag/Clip for 25mm Pin (Standard and Hardened Pin)
		Bradley DB67229 / AL-KO 185013015	25mm Hardened Pin/Lanyard/Tag/Clip



3.5T **4** **D VALUE**
30.95kN

- Pin Diameter (nominal): 32mm
- Ball Diameter: 50mm
- Towing Capacity: 3.5T
- D Value: 30.95kN
- Vertical Load / S Value: 250kg
- Towing Eye:
Minimum I.D.: 50m
Maximum Section: 28.6mm
- 4 bolt fixing to BS Au 24 (bolts not supplied – 8.8 or higher grade bolts recommended)



Part No.	Item	Spare No.	Item
Bradley DB201691 / AL-KO 185008715	5.0T Universal with 32mm Pin	Bradley DB67187 / AL-KO 185013115	32mm Pin/Chain/Tag/R Clip
		Bradley DB67221 / AL-KO 185013215	Chain/Tag/R Clip set for 32mm Pin

Please note - only use genuine Bradley parts and spares to ensure your system is Type Approved and legally compliant.

DIXON-BATE UNIVERSAL STABILISER COUPLINGS

Compatible with many stabilisers, the Dixon-Bate Universal Stabiliser Coupling is engineered for heavy use with forged components to provide maximum durability.

The coupling is comprised of both a 50mm ball and 25mm diameter hardened pin to provide greater flexibility for different styles of stabilisers and coupling devices. Both are engineered from heavy duty forged steel.

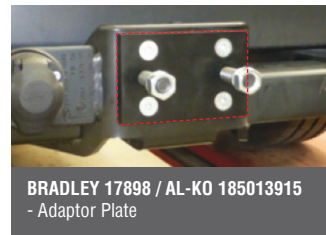
When not in use, the pin can be stored in the integral pin holder. The lanyard cable is made from stainless steel cable sheathed in nylon which improves retention and prevents snagging.

Features and Benefits

- Unique product specifically designed for stabilisers
- All couplings meet safety requirements of EU standard and Regulation 55
- Zinc and clear passivate finish
- Class: A50-X/S



For each product, Bradley part numbers and AL-KO part numbers are provided.



This adaptor converts a continental 4 hole towbar system to a standard UK 2 bolt fixing as shown.

The adapter plate is fully approved to Reg. 55 if used with Bradley / Dixon Bate products, and can only be supplied when ordered with the two bolt products on this page. (Black finish only)

BRADLEY 17898 / AL-KO 185013915
- Adaptor Plate

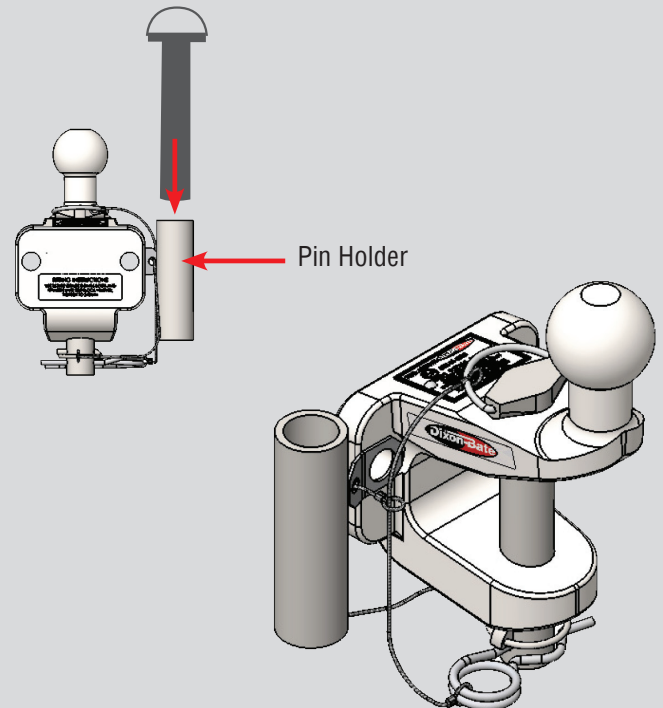
3.5T Universal Stabiliser



- Pin Diameter (nominal): 25mm
- Ball Diameter: 50mm
- Towing Capacity: 3.5T
D Value: 17.2kN
- Vertical Load / S Value: 250kg
- Towing Eye:
Minimum i.D.: 28.6mm
Maximum Section: 28.6mm
- 2 bolt fixing to Regulation 55 (bolts not supplied – we recommend using 8.8 or higher grade bolts)



BRADLEY DB202116 / AL-KO 185010015
3.5T Stabiliser Coupling with hardened pin



Part No.	Item	Spare No.	Item
Bradley DB202116 / AL-KO 185010015	3.5T Stabiliser coupling compatible with 25mm Hardened Pin (Features a hardened 25mm dia. pin rated to 3500kg)*	Bradley DB68240 / AL-KO 185013315	25mm Hardened Pin & Holder 3.5T Stabiliser Coupling

Please note - only use genuine Bradley parts and spares to ensure your system is Type Approved and legally compliant.



Specifically Engineered for use with Stabilisers

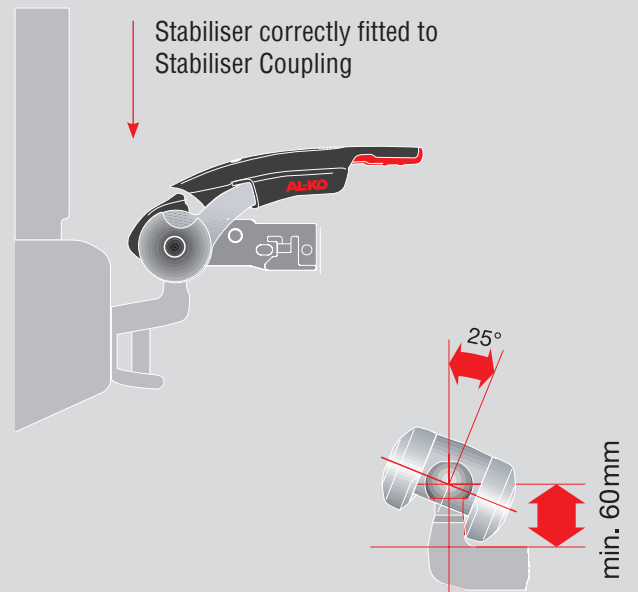
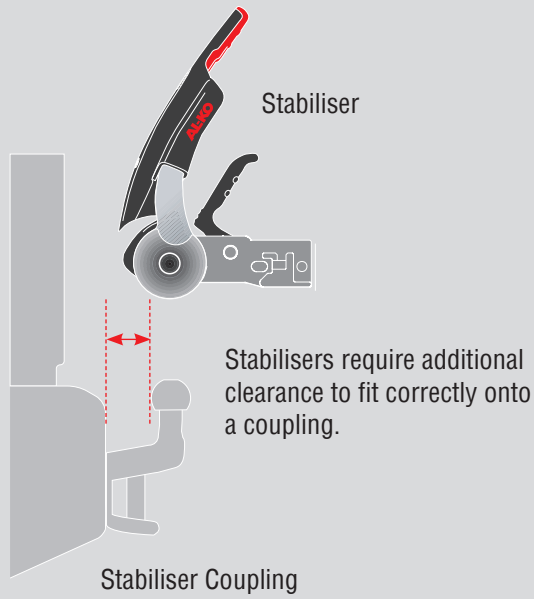


Diagram shows AL-KO AKS™ 3004 Stabiliser



BRADLEY TOWING JAWS

Bradley Towing Jaws are designed to prevent jamming and have a minimum overhang design. They are engineered from durable, corrosion resistant cast iron and are approved to Regulation 55.

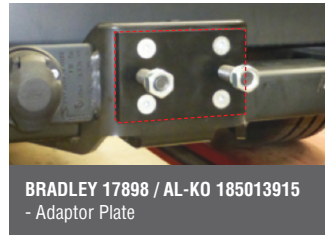
All towing jaws come with a two year warranty and are lifetime tested to two million cycles.

Features and Benefits

- Anti-jamming & minimum overhang design
- Compatible with British Standard eyes 30/40/50mm
- Doublelock mechanism
- Durable cast iron - high corrosion resistance
- Approved to Regulation 55, British Standards & EC94/20 Approved



For each product, Bradley part numbers and AL-KO part numbers are provided.



This adaptor converts a continental 4 hole towbar system to a standard UK 2 bolt fixing as shown.

The adapter plate is fully approved to Reg. 55 if used with Bradley / Dixon Bate products, and can only be supplied when ordered with the two bolt products on this page. (Black finish only)

BRADLEY 17898 / AL-KO 185013915
- Adaptor Plate

Bradley Towing Jaw Range

3.5T

2

D VALUE
17kN

3.5T

4

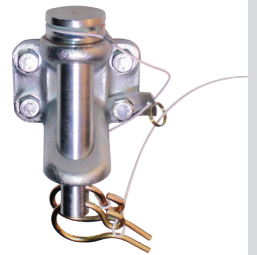
D VALUE
30.95kN

- Pin Diameter (nominal): 25mm
- Towing Capacity: 3.5T
- D Value: 17kN
- Vertical Load / S Value: 200kg
- Towing Eye:
Minimum i.D.: 30mm
Maximum Section: 28.6mm
- 2 bolt fixing to Regulation 55
(bolts not supplied – M16 bolts required)

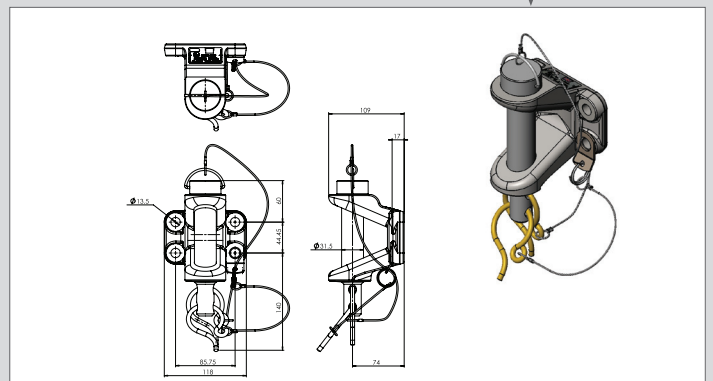
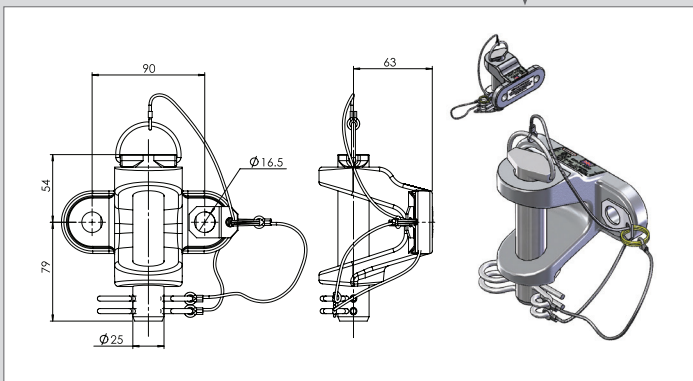


BRADLEY V351L / AL-KO 185010115
3.5T Bradley Towing Jaw E40T

- Pin Diameter (nominal): 32mm
- Towing Capacity: 3.5T
- D Value: 30.95kN
- Vertical Load / S Value: 350kg
- Towing Eye:
Minimum i.D.: 40mm
Maximum Section: 28.6mm
- 4 bolt fixing to Regulation 55
(bolts not supplied – M12 bolts required)



BRADLEY V501L / AL-KO 185010215
3.5T Bradley Towing Jaw E100T



Part No.	Item
Bradley V351L / AL-KO 185010115	3.5T Bradley Towing Jaw E40T
Bradley V501L / AL-KO 185010215	3.5T Bradley Towing Jaw E100T
Bradley V354L / AL-KO 185010315	3.5T Bradley Towing Jaw with Locking Pin
Bradley V504L / AL-KO 185010415	3.5T Bradley Towing Jaw with Locking Pin

Please note - only use genuine Bradley parts and spares to ensure your system is Type Approved and legally compliant

DIXON-BATE TOWING JAWS



Dixon-Bate Towing Jaws provide the same quality and towing capacity (3.5T) as the Bradley Towing Jaws but are suitable for towing outfits with S Values of 250kg.

There is also a product option for a hardened pin. Both products are provided with a two year warranty.

Features and Benefits

- Heavy duty, forged pins. Stainless steel lanyard cable - sheathed in nylon to provide improved clip retention and prevents snagging
- Approved to Regulation 55, British Standards & EC94/20
- Zinc and Clear Passivate Finish
- Class: A-S



BRADLEY 17898 / AL-KO 185013915
- Adaptor Plate

This adaptor converts a continental 4 hole towbar system to a standard UK 2 bolt fixing as shown.

The adapter plate is fully approved to Reg. 55 if used with Bradley / Dixon Bate products, and can only be supplied when ordered with the two bolt products on this page. (Black finish only)

Dixon-Bate Towing Jaw Range



- Pin Diameter (nominal): 25mm
- European Type Approved No. 0676
- Towing Capacity: 3.5T
- D Value: 17.5kN
- Vertical Load / S Value: 250kg
- Towing Eye:
Minimum i.D.: 30mm
Maximum Section: 30mm
- 2 bolt fixing to Regulation 55 and 94/20/EC Type Approved Product

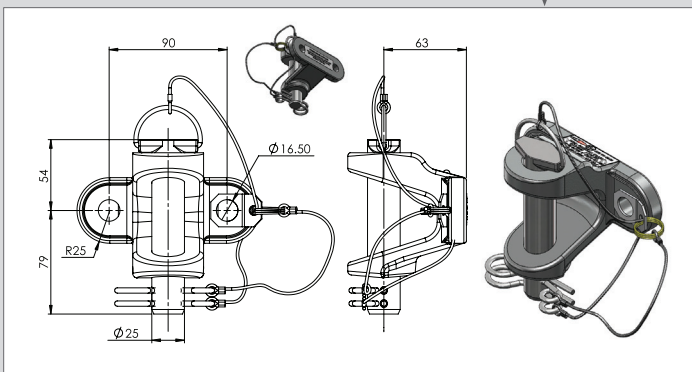


BRADLEY DB201661 / AL-KO 185001715
3.5T Towing Jaw

- Features a hardened 25mm dia. pin rated to 3500kg
- Regulation 55 and 94/20/EC Type Approved Product



BRADLEY DB201756 / AL-KO 185010515
3.5T Towing Jaw (Hardened Pin)



Part No.	Item	Spare No.	Item
Bradley DB201661 / AL-KO 185001715	3.5T (17.5kN) Towing Jaw	Bradley DB68169 / AL-KO 185002615	25mm Standard Pin/Lanyard/Clip set
		Bradley DB68129 / AL-KO 185012915	Lanyard/Clip set for 25mm Pin
Bradley DB201756 / AL-KO 185010515	3.5T (17.5kN) Towing Jaw with Hardened Pin	Bradley DB67228 / AL-KO 185013415	25mm Hardened Pin/Lanyard/Clip set
		Bradley DB68129 / AL-KO 185012915	Lanyard/Clip set for 25mm Pin

BRADLEY AUTOJAW

Perfect for ensuring the safety of lone operators, the Bradley AutoJaw is a semi-automatic, self-engaging coupling that enables the user to attach a trailer with a simple, one handed operation.

As one complete unit the AutoJaw prevents loss of, or incorrect use of pins which ensures the operator is never in a position where they might be tempted to tow with something other than a Type Approved pin.

The AutoJaw automatically engages with the trailer eye end when the towing vehicle is reversed to the trailer. The product is specifically designed so it fully engages and locks when used. The Bradley AutoJaw is either locked, or it will leave the trailer behind at the take-off point. It is not possible to partially engage/lock Bradley AutoJaw, which ensures continued safety and reliability for your towing outfit and operator.

The Bradley AutoJaw also has a security locking facility which can be used in conjunction with a standard Bradley barrel lock.

Features and Benefits

- Perfect solution for towing outfits that require a two bolt fixing AND a high D Value
- Self engaging 'AutoJaw' with anti-jamming & minimum overhang design
- No chains or wires
- High corrosion resistance – engineered from durable cast iron
- Compatible with British Standard eyes 30/40/50mm



This adaptor converts a continental 4 hole towbar system to a standard UK 2 bolt fixing as shown.

The adapter plate is fully approved to Reg. 55 if used with Bradley / Dixon Bate products, and can only be supplied when ordered with the two bolt products on this page. (Black finish only)

Bradley AutoJaw Range



- Ball Diameter: 50mm
- Towing Capacity: 3.5T
- D Value: 23.41kN
- Vertical Load / S Value: 350kg
- 2 bolt fixing to BS Au 114a (bolts not supplied – we recommend using M16, 8.8 or higher grade)
- Corrosion resistant black phosphate and black powder finish

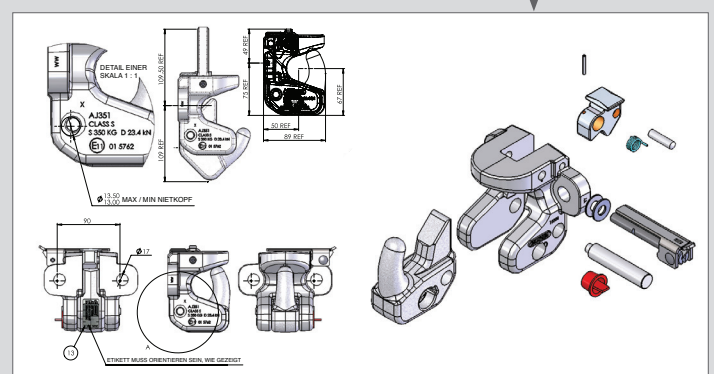
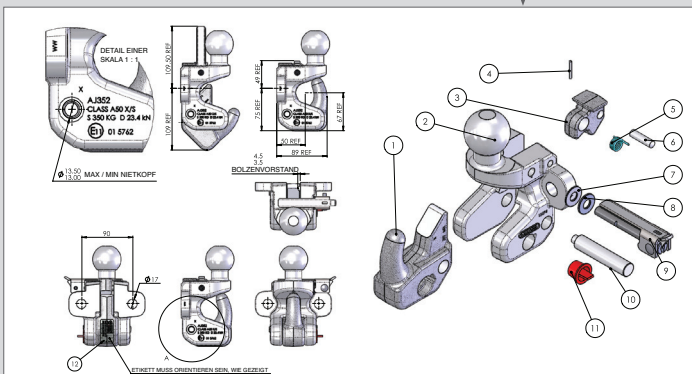


BRADLEY AJ352L2 / AL-KO 185001115
Bradley AutoJaw with Ball

- Towing Capacity: 3.5T
- D Value: 23.41kN
- Vertical Load / S Value: 350kg
- 2 bolt fixing to BS Au 114a (bolts not supplied – we recommend using M16, 8.8 or higher grade)
- Corrosion resistant black phosphate and black powder finish



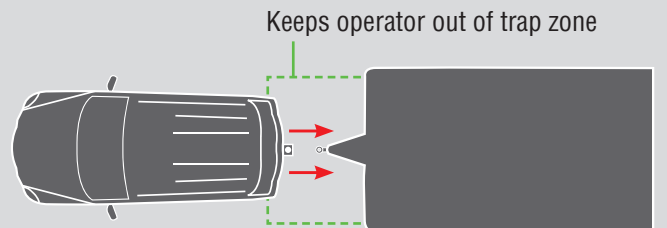
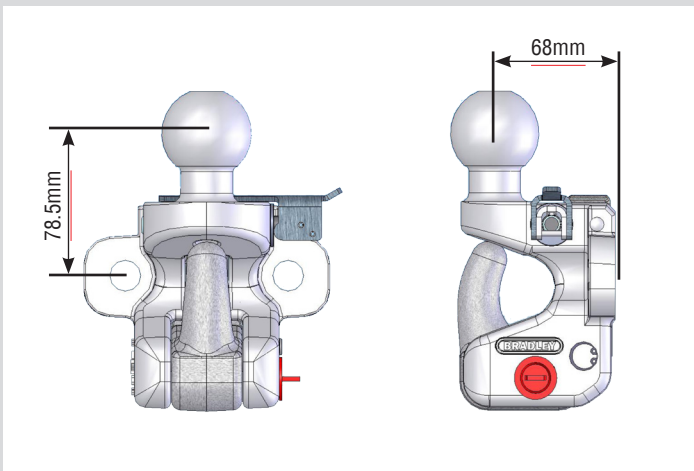
BRADLEY AJ351L2 / AL-KO 185008615
Bradley AutoJaw without Ball



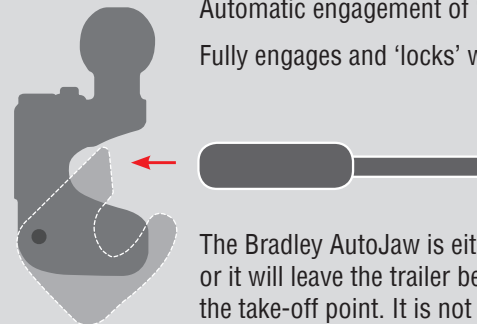
Part No.	Item
Bradley AJ352L2 / AL-KO 185001115	Bradley AutoJaw with Ball
Bradley AJ351L2 / AL-KO 185008615	Bradley AutoJaw without Ball



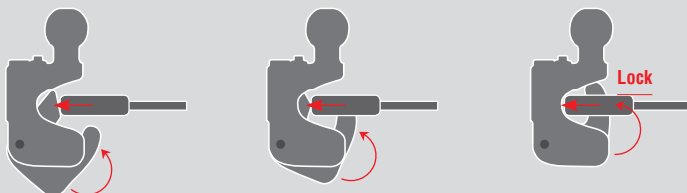
For each product, Bradley part numbers and AL-KO part numbers are provided.



Automatic engagement of 'AutoJaw'. Fully engages and 'locks' when used.

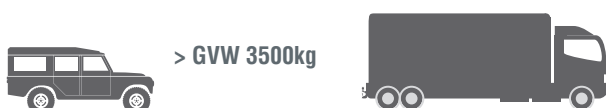


The Bradley AutoJaw is either locked or it will leave the trailer behind at the take-off point. It is not possible to partially engage/lock Bradley AutoJaw, which ensures continued safety and reliability for your towing outfit and operator.



High Towing Capacity

The high D Value permits the full maximum trailer mass of 3500kg even when it is fitted to a 7.5 tonne towing vehicle - a unique feature for a Jaw with a 2 bolt fixing.



DIXON-BATE HEIGHT ADJUSTABLE MOUNTINGS

Dixon-Bate Height Adjustable Mountings allow the end user to couple their towing outfits at various desired heights. Each product provides varying ranges of adjustment – from 100mm through to 260mm of adjustment in 50mm increments.

The mounting can be moved into position by hand and is secured by one or two 19mm steel pins with R clips so no tools are required to operate the height adjustment. Any single towball, jaw or hook can be fitted to the range, which comes pre-drilled for 2 or 4 bolt fixings.

Features and Benefits

- Multi-height adjustment - adjust the height without tools
- 3 to 5 positions in 50mm increments across the range
- Simple, safe and secure locking mechanism
- All-steel construction
- Four bolt fixing to vehicle
- Couplings can be fixed onto the Height Adjustable Mountings with either 2 or 4 bolt fixings
- 19mm dia. steel pin to secure the slider in place with R clips
- Corrosion resistant black phosphate and black powder finish
- Pins and clips are zinc phosphate bright finish
- Range of complementary towballs available (see 'Accessories' on page 29 for more details)



For each product, Bradley part numbers and AL-KO part numbers are provided.

Dixon-Bate Height Adjustable Mountings Range

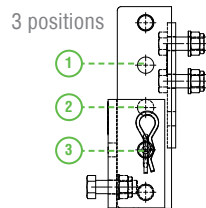


D VALUE
23.41kN



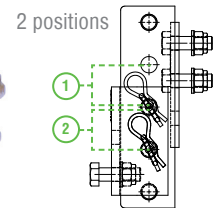
- 100mm adjustable height mounting
- Multi-height adjustment - 3/2 positions in 50mm increments
- Available in 1 pin or 2 pin variants
- 19mm diameter pin to secure with R clips
- Slider pre-drilled with 4 holes to accept 2 hole (BS Au 114a) or 4 hole fixing (BS Au24), both to Regulation 55

100mm ↓



BRADLEY DB202092 / AL-KO 185010815
100mm DB Height Adjustable Mounting

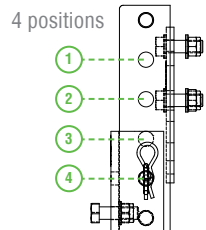
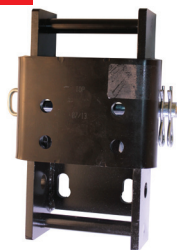
100mm ↓



BRADLEY DB202092/2PIN / AL-KO 185010915
100mm 2 pin variant

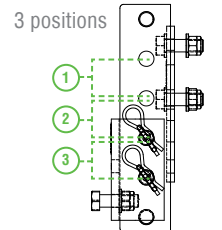
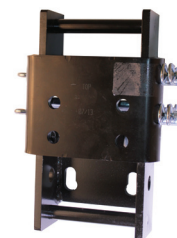
- 150mm adjustable height mounting
- Multi-height adjustment - 4/3 positions in 50mm increments
- Available in 1 pin or 2 pin variants
- 19mm diameter pin to secure with R clips
- Slider pre-drilled with 4 holes to accept 2 hole (BS Au 114a) or 4 hole fixing (BS Au24), both to Regulation 55

150mm ↓



BRADLEY DB202091 / AL-KO 185002215
150mm DB Height Adjustable Mounting

150mm ↓



BRADLEY DB202091/2PIN / AL-KO 185011015
150mm 2 pin variant

Part No.	Item
Bradley DB202092 / AL-KO 185010815	100mm DB Height Adjustable Mounting
Bradley DB202092/2PIN / AL-KO 185010915	100mm 2 Pin variant
Bradley DB202091 / AL-KO 185002215	150mm DB Height Adjustable Mounting
Bradley DB202091/2PIN / AL-KO 185011015	150mm 2 Pin variant

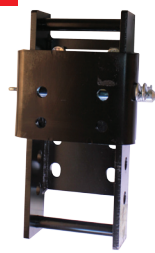


4

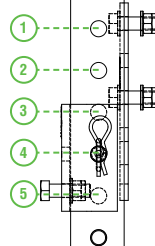
D VALUE
23.41kN

- 200mm adjustable height mounting
- Multi-height adjustment - 5/4 positions in 50mm increments
- Available in 1 pin or 2 pin variants
- 19mm diameter pin to secure with R clips
- Slider pre-drilled with 4 holes to accept 2 hole (BS Au 114a) or 4 hole fixing (BS Au24)

200mm ↓

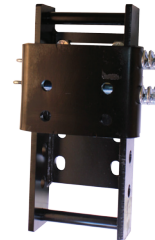


5 positions

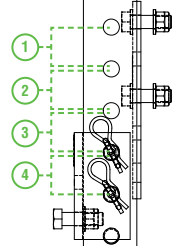


BRADLEY DB202090 / AL-KO 185011115
200mm DB Height Adjustable Mounting

200mm ↓



4 positions



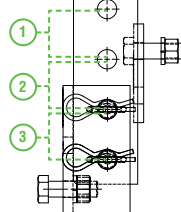
BRADLEY DB202090/2PIN / AL-KO 185011215
200mm 2 pin variant

- 260mm adjustable height mounting with 2 pins
- Multi-height adjustment - 3 positions in 50mm increments
- 2 x 19mm diameter pins secured with R clips
- Slider pre-drilled with 4 holes to accept 2 hole (BS Au 114a) or 4 hole fixing (BS Au24)

260mm ↓



3 positions



BRADLEY DB202117 / AL-KO 185002415
2 Pin 260mm Height Adjustable Mounting

Complementary Products



Range of towballs available

Part No.	Item
Bradley DB202090 / AL-KO 185011115	200mm DB Height Adjustable Mounting
Bradley DB202090/2PIN / AL-KO 185011215	200mm 2 Pin variant.
Bradley DB202117 / AL-KO 185002415	2 Pin 260mm Height Adjustable Mounting

DIXON-BATE TOWING PINTLES

Towing Pintles are hooks designed to rotate up to 360 degrees, enabling the trailer to rotate independently of the towing vehicle when off-road and on uneven terrain. This is particularly important when towing at high speed, which is often a military requirement. Dixon-Bate Towing Pintles are suitable for normal on-road usage as they can be locked in a fixed position when necessary.

For over 50 years defence forces across the world have trusted Dixon-Bate Towing Pintles. Versatile and engineered to last, the rotatable pintles now have a reputation as the ultimate heavy duty towing coupling and have now become the product of choice for local authorities and commercial users, especially when used for towing off road.

Features and Benefits

- Lower lock designed to secure jaw in one position or allow it to rotate 360°
- Worldwide recognition - specified by most military vehicle manufacturers
- Lock secured with steel pin & clip
- The only products designed to tow trailers fitted with the military 3 inch/76mm Nato towing eye
- Supplied in a black electro-pheretic powder coat



For each product, Bradley part numbers and AL-KO part numbers are provided.

Dixon-Bate Towing Pintles Range



- Towing Capacity 3.5T
D Value: 30.95kN
- Towing Eye:
Minimum i.D.: 75mm
- Section thickness: 38-41mm
- Lock secured with steel pin & clip
- 4 bolt fixing to Regulation 55
- Bolts supplied



BRADLEY FV987958 / AL-KO 185003815
3.5T Light Towing Pintle

(Nato ref: 2540-99-825-6119)
Land Rover Part No. NRC 2051

- Towing Capacity 7.5T
D Value: 59.61kN
- Towing Eye:
Minimum i.D.: 75mm
- Section thickness: 38-41mm
- Lock secured with steel pin & clip
- 4 bolt fixing to Regulation 55
- Bolts supplied



BRADLEY FV987957 / AL-KO 185011315
7.5T Medium Towing Pintle

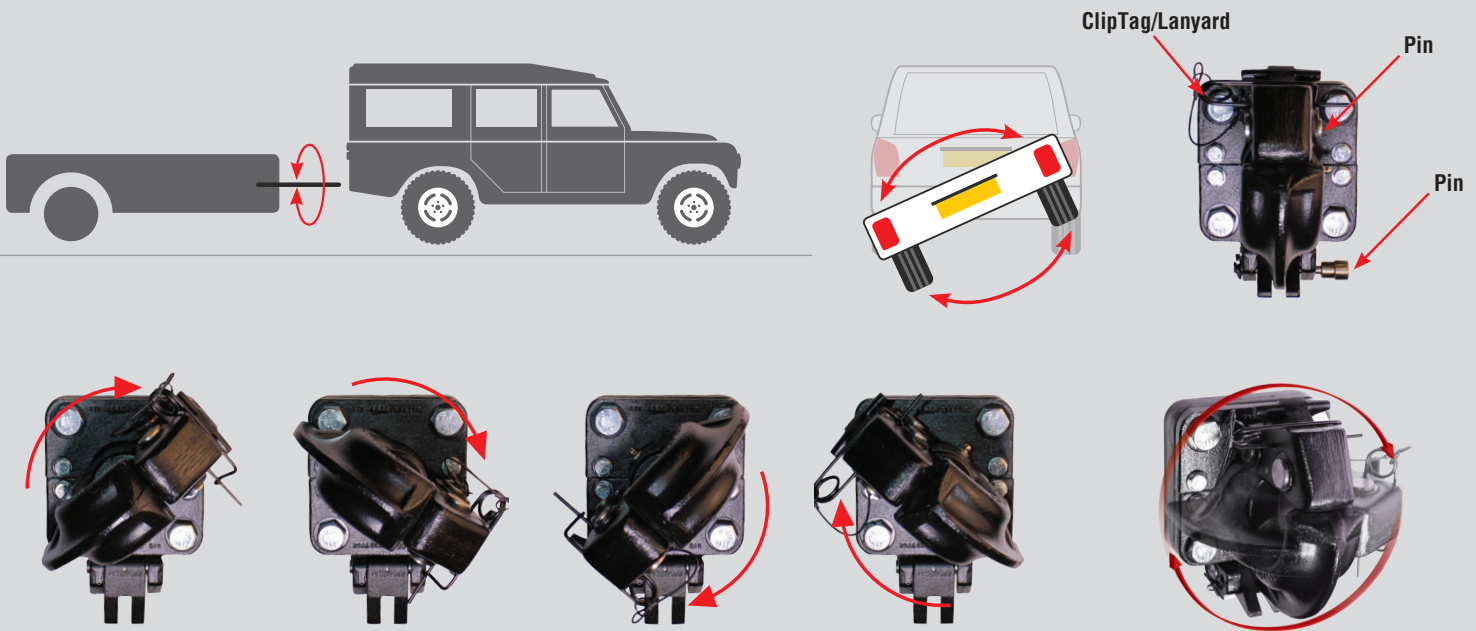
(Nato ref: 2540-99-825-6118)

Part No.	Item
Bradley FV987958 / AL-KO 185003815	3.5T Light Towing Pintle
Bradley FV987957 / AL-KO 185011315	7.5T Medium Towing Pintle



Worldwide recognition - in use by armed forces around the world and specified by most military vehicle manufacturers.

360° Pintle Rotation



Rotates through 360°, and has a built in device to secure the Pintle into a fixed position.

Generally used in military and heavy off road applications

The Towing Pintle range provides the perfect off road towing system for a range of applications - from lighter vehicles and loads, to heavier, commercial, industrial and military usage.



Perfect for uneven terrain

DIXON-BATE SHOCKLINK

With larger engines, higher and harder suspensions, extra towbar leverage and the ability to drive off-road, the towing characteristics of 4x4 and commercial vehicles can lead to driver and passenger fatigue, and possibly result in damage to the trailer.

The Dixon-Bate Shocklink range has been designed and engineered to provide up to 70% absorption of the load. There are two core products in the range - the Shocklink Mark II which is designed for 4x4 and light commercial vehicles, and the Commercial Shocklink which is engineered for heavier vehicles. The Commercial Shocklink is available in an adjustable version and also in 4 fixed or 'studded' versions.

Features and Benefits

- Versatile design – Shocklink products fit easily to most vehicles
- Innovative design, including high quality springs and rubber 'snubbers' to improve spring dampening
- Provides up to 70% absorption of the load
- The Shocklink is fully adjustable, providing multiple height positions
- Four bolt fixing to vehicle
- Supplied with helpful fitting, usage and maintenance instructions



For each product, Bradley part numbers and AL-KO part numbers are provided.

Dixon-Bate Shocklink Range



- Towing Capacity: 3.5T
- D Value: 15.26kN
- Vertical Load / S Value: 80kg or 100kg
- For use on 4x4 and light commercial vehicles:
 - With max. gross weight (GVW) of 2800kg
 - Towing a gross trailer weight (GTW) of 3500kg

- Pre-drilled with two holes to BS Au 114a to accept a standard 50mm towball, Universal Coupling or Tow Jaw
- Regulation 55 and 94/20/EC Type Approved
- One year warranty, two pins and fitting instructions as standard



BRADLEY DB202004 / AL-KO 185001815 Shocklink Mark II 80kg



BRADLEY DB202097 / AL-KO 185002315 Shocklink Mark II 100kg variant

- Towing Capacity: 3.5T
- D Value: 28.17kN
- Vertical Load / S Value: 100kg
- For use on commercial vehicles:
 - With max. gross weight (GVW) of 16,000kg,
 - Towing a gross trailer weight (GTW) of 3500kg
- Regulation 55 and 94/20/EC Type Approved
- 4 hole fixing to BS Au24



BRADLEY DB201928 / AL-KO 185011415 Commercial Shocklink Adjustable



BRADLEY DB202021 / AL-KO 185002115 Shocklink Commercial Adaptor Plate



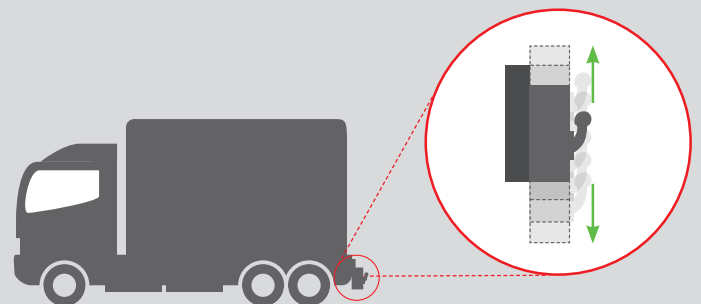
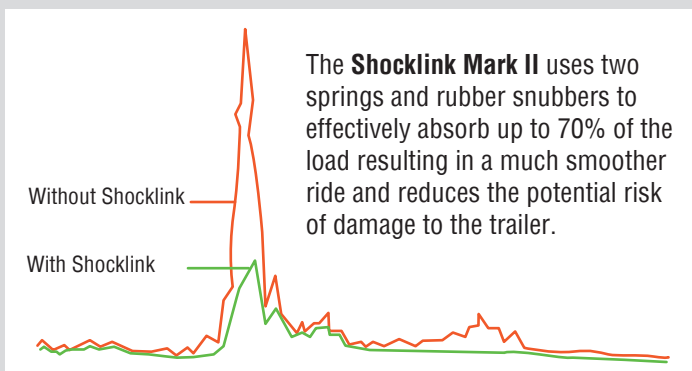
BRADLEY DB202005 / AL-KO 185001915 Shocklink Adaptor Plate

Part No.	Item
Bradley DB202004 / AL-KO 185001815	Shocklink Mark II (80kg)
Bradley DB202097 / AL-KO 185002315	Shocklink Mark II (100kg variant)
Bradley DB202005 / AL-KO 185001915	Shocklink Adaptor Plate
Bradley DB201928 / AL-KO 185011415	Commercial Shocklink Adjustable
Bradley DB202021 / AL-KO 185002115	Shocklink Commercial Adaptor Plate



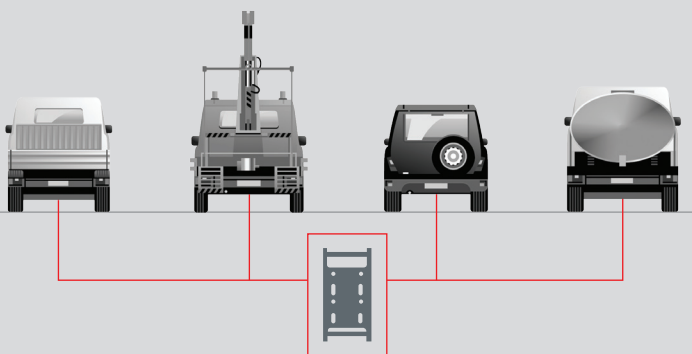
Fit Shocklink Adaptor Plates to your fleet of vehicles

How Does it Work?



The **Shocklink Mark II** fits directly between the vehicle towbar and the trailer.

When towing, the **Shocklink Mark II** “floats” in a vertical direction as the trailer reacts to changes in the road surface.



Fit Shocklink Adaptor Plates to your fleet of vehicles and quickly ‘swap out’ your Shocklink product when required.

Easy to fit

The **Shocklink Mark II** is supplied with the two pins required to fit either the **Shocklink Adaptor** or the **Adjustable Height Mounting** towing bracket.

Standard Towing Bracket

For fixing to a towing bracket with a minimum of 4 coupling holes use the **Shocklink Adaptor** which bolts directly onto the towing bracket. If your towing bracket is Type Approved check first with the towing bracket manufacturer to ensure the Shocklink does not invalidate its approval.

Height Adjustable Mountings

The **Shocklink Mark II** includes bracketry to mount directly onto the Dixon-Bate range of **Height Adjustable Mountings** (page 20) in place of the slider.

LAND ROVER TOWBAR ASSEMBLIES

With such a powerful vehicle, it is possible for Land Rover drivers to tow a wide range of trailed outfits, from lighter trailers to horseboxes and heavy loads. In addition, the off road capabilities of a Land Rover means drivers often need to tow in challenging conditions such as uneven terrain.

Therefore, Dixon-Bate Land Rover Towing Assemblies are designed to be high quality, functional systems that are engineered to perfectly match each Land Rover and provide maximum usability.

Each Towing Assembly comes complete with an adjustable height feature and all the necessary components to fit to your Land Rover.

The assemblies are user friendly, enabling the height of your trailed outfit to be adjusted in seconds. They are also engineered for long life, with durable forged components and corrosion protection.

Features and Benefits

- Wide range - available for most Land Rover vehicles currently on the market
- Specifically designed for your Land Rover
- Suitable for all kinds of towing outfits
- Tested and proven in off road and mixed use for decades
- Versatile - a large range of Towbars, The AutoJaw, and Shocklink products can be used with the Towbar Assemblies



Maximum Towing Capacity =
For all products please see your
vehicle manufacturer's handbook



- For each product, Bradley part numbers and AL-KO part numbers are provided.

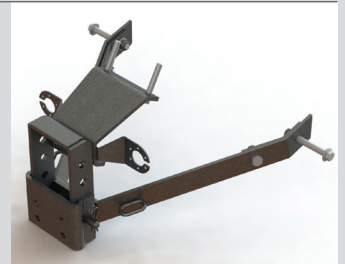
Land Rover Discovery

- Date from: 1999
- Date to: 2004
- Height adjustable
- Type: A-50X
- D Value: 15.5kN
- Vertical Load / S Value: 200kg
- EC94/20 Type Approved: e11-00-1476



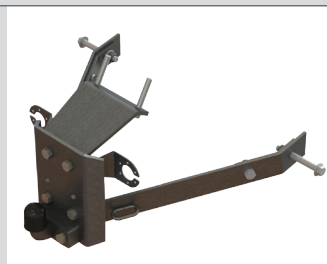
BRADLEY DB202039 / AL-KO 185011515
Land Rover Discovery
Coil Sprung 1999-2004

- Date from: 1999
- Date to: 2004
- Height adjustable
- Type: A-50X
- D Value: 13.1kN
- Vertical Load / S Value: 180kg
- EC94/20 Type Approved: e11-00-1477



BRADLEY DB202049 / AL-KO 185011615
Land Rover Discovery
1999-2004 - AIR

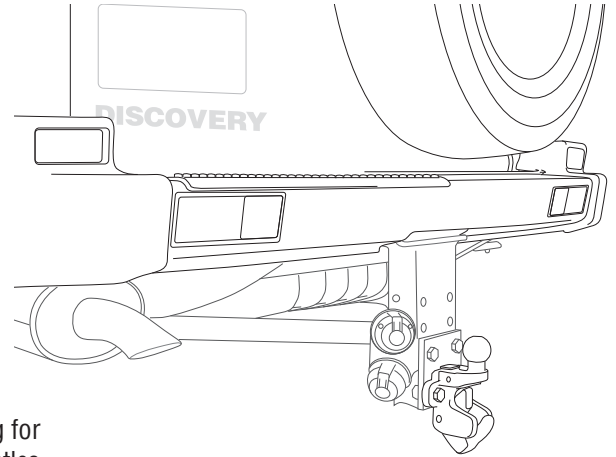
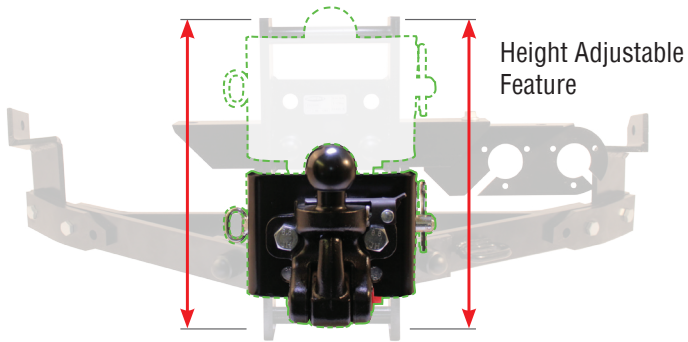
- Date from: 1998
- Date to: 2004
- Multiheight = manual relocation required
- Type: A-50X
- D Value: 15.5kN
- Vertical Load / S Value: 200kg
- EC94/20 Type Approved: e11-00-1655



BRADLEY DB202126 / AL-KO 185011715
Land Rover Discovery 2 Multi Height
1998 - 2004

Part No.	Item
Bradley DB202039 / AL-KO 185011515	Land Rover Discovery Coil Sprung - 1999-2004
Bradley DB202049 / AL-KO 185011615	Land Rover Discovery - 1999-2004 - AIR
Bradley DB202126 / AL-KO 185011715	Land Rover Discovery 2 Multiheight - 1998 - 2004

Please note - only use genuine Bradley parts and spares to ensure your system is Type Approved and legally compliant



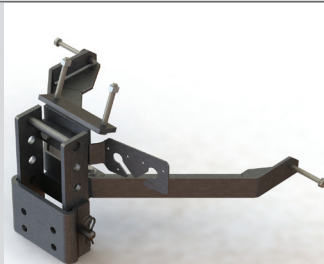
Specifically engineered for your Land Rover



Two or four bolt fixing for Towballs/AutoJaw/Pintles

Discovery / Range Rover

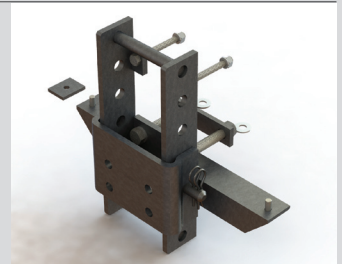
- Date to: 1995 onwards
- Height adjustable
- Type: A-50X
- D Value: 15.8kN
- Vertical Load / S Value: 200kg
- EC94/20 Type Approved: e11-00-0711



BRADLEY DB202022 / AL-KO 185011815
Discovery / Range Rover
1995 on

Land Rover

- Land Rover 88 & 109
- Height adjustable
- Type: A-50X
- S & D Values - please see vehicle manufacturer's handbook



BRADLEY DB200673 / AL-KO 185011915
Land Rover 88 & 109

- Date to: 1983
- Height adjustable
- Type: A-50X
- S & D Values - please see vehicle manufacturer's handbook



BRADLEY DB201796 / AL-KO 185012015
Land Rover Lightweight Military

Part No.	Item
Bradley DB202022 / AL-KO 185011815	Discovery / Range Rover - 1999 on
Bradley DB200673 / AL-KO 185011915	Land Rover - 88 & 109
Bradley DB201796 / AL-KO 185012015	Land Rover Lightweight Military

LAND ROVER TOWBAR ASSEMBLIES

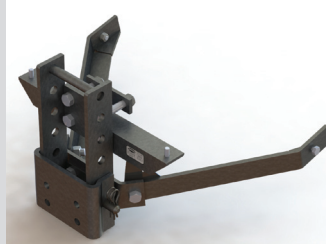
? Maximum Towing Capacity =
For all products please see your
vehicle manufacturer's handbook



For each product, Bradley part numbers and AL-KO part numbers are provided.

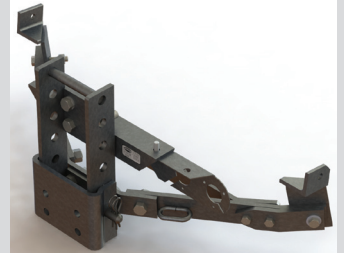
Land Rover Defender

- Date to: 12/1998
- Height adjustable
- Type: A-50X
- D Value: 17.4kN
- Vertical Load / S Value: 250kg
- EC94/20 Type Approved: e11-00-0710



BRADLEY DB202023 / AL-KO 185012115
Land Rover Defender
to end 1998

- Date from: 1999
- Date to: Current
- Height adjustable
- Type: A-50X
- D Value: 14.5kN
- Vertical Load / S Value: 120kg
- EC94/20 Type Approved: e11-00-1265



BRADLEY DB202046 / AL-KO 185012215
Land Rover Defender 90
1999 on

- Date to: 12/1998
- Type: A-50X
- S & D Values - please see vehicle manufacturer's handbook



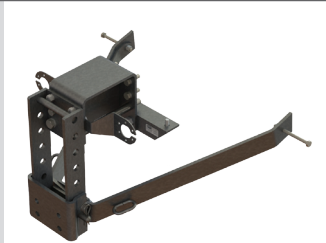
BRADLEY DB55796 / AL-KO 185012315
Land Rover Defender 90 / 100 to end
1998

- Date from: 1999
- Date to: Current
- Height adjustable
- Type: A-50X
- D Value: 17.4kN
- Vertical Load / S Value: 250kg
- EC94/20 Type Approved: e11-00-1204



BRADLEY DB202047 / AL-KO 185012415
Land Rover Defender 110 1999 on

- Date from: 1999
- Date to: Current
- Height adjustable
- Type: A-50X
- D Value: 17.4kN
- Vertical Load / S Value: 250kg
- EC94/20 Type Approved: e11-00-1622



BRADLEY DB202048 / AL-KO 185012515
Land Rover Defender 130
Hi Capacity 1999 on

Part No.	Item
Bradley DB202023 / AL-KO 185012115	Land Rover Defender to end 1998
Bradley DB202046 / AL-KO 185012215	Land Rover Defender 90 1999 on
Bradley DB55796 / AL-KO 185012315	Land Rover Defender 90 / 100 to end 1998
Bradley DB202047 / AL-KO 185012415	Land Rover Defender 110 1999 on
Bradley DB202048 / AL-KO 185012515	Land Rover Defender 130 Hi Capacity 1999 on



Spares



BRADLEY KIT 171 / AL-KO 185013515
25mm Pin, Lanyard, Tag, R Clip for E40T 3.5T Towing Jaw



BRADLEY KIT 169 / AL-KO 185013615
32mm Pin, Lanyard, Tag, R Clip, for E100T 3.5T Towing Jaw



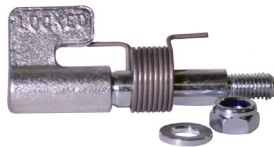
BRADLEY KIT 172 / AL-KO 185005515
25mm Ballpin, Lanyard, Tag, R Clip for E40TC for 3.5T Universal Coupling



BRADLEY KIT 170 / AL-KO 185012715
32mm Ballpin, Lanyard, Tag, R Clip for E100TC 3.5T Universal Coupling



BRADLEY KIT 178 / AL-KO 185013815
25mm Ballpin, Lanyard, Tag, R Clip (less Ball) for V354L 3.5T Universal Coupling



BRADLEY KIT 173 / AL-KO 185012615
E40TC & E100TC Locking Handle



BRADLEY DB67187 / AL-KO 185013115
32mm Pin, Chain, Tag, R Clip for 5.0T Universal Coupling.



BRADLEY DB68121 / AL-KO 185012815
25mm Pin, Lanyard, Tag, R Clip for 3.5T Towing Jaw



BRADLEY DB67228 / AL-KO 185013415
25mm Hardened Pin, Lanyard, R Clip for 3.5T Towing Jaw with Hardened Pin



BRADLEY DB68129 / AL-KO 185012915
Lanyard, Tag, Clip for 25 mm Pin



BRADLEY DB68240 / AL-KO 185013315
25mm Hardened Pin & Holder for 3.5T Stabiliser Coupling

For assistance with any parts replacement and spares, please contact

Bradley Sales:

01274 560414

sales@bradleydoublelock.co.uk

Towball Range



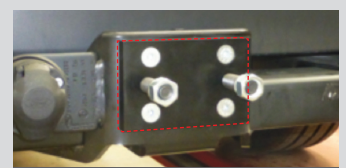
BRADLEY DB67969 / AL-KO 185003715
50mm Long Neck European Stabiliser Compatible Towball (17.0kN Capacity)



BRADLEY DB67845 / AL-KO 185014115
50mm Towball (17.0kN Capacity)



BRADLEY FC1 / AL-KO 185014215
Bradley Flipper Towball Cover



BRADLEY 17898 / AL-KO 185013915
Adapter Plate (Black finish only)
Converts continental 4 hole towbar to a standard UK 2 bolt fixing.
Can only be supplied when ordered with the products identified throughout this brochure.



**For assistance with any product specifications or combinations, please contact
Bradley Sales on 01274 560414 or via e-mail to sales@bradleydoublelock.co.uk**

United Kingdom

Bradley Doublelock Ltd, Victoria Works,
Bingley, West Yorkshire, BD16 2NH
Tel. 01274 560414 | Fax: 01274 510294

Ireland

Unit 15 Block B, Blyry Business &
Commercial Park, Athlone, Co Westmeath, Ireland
Tel: 00353 9064 86849 | Fax: 00353 9064 85850

www.bradleydoublelock.co.uk

Due to a policy of continuous product improvement, Bradley Doublelock reserves the right to change technical specifications. Revision Date 09/15